

AD-2 AC DC Power Supply

- Input: 120 50/60 Hz VAC +/- 10%
- Output Voltages (2.0 KVA)
- 0-560 VAC Selectable Output Ranges
- 0-480 VDC Selectable Output Ranges
- Rugged plastic and aluminum enclosure with removable protective lids



DESCRIPTION

This instrument is housed in a rugged waterproof case with a hinged lid. The input connection is by way of a recessed three prong male inlet compatible with standard extension cords. The input is protected and controlled by a 20 amp single pole circuit breaker. When it is turned ON, a single or dual deck variable autotransformer (Vernier) is energized, and an amber POWER ON light is illuminated, as well as a 0-600 volt digital meter. The output arm(s) are protected by a one or two pole breaker. The variable output of the Vernier is connected to the primaries of four 750 VA toroidal transformers. The secondaries are connected in series and parallel configuration by means of a multi-deck six position selector switch. The AC output is monitored by the 0-600 VAC digital meter. An additional resistor is added in DC mode to read the expected DC output voltage under normal load conditions.

The output is controlled by means of a three position rotary switch. It has a maintained and momentary position, and a center OFF. When turned ON, a relay is energized and the internal lamp is illuminated. The contacts of the relay drive AC voltage directly to one pair of yellow binding posts, and through a full wave bridge rectifier to a pair of red and black binding posts. LED indicators next to the binding posts and near the meter indicate AC or DC mode.

APPLICATION

This is a portable AC and DC power supply intended for circuit breaker charging motors and other general purpose applications. It will provide DC voltage in three nominal ranges from 0 to 120, 240, and 480 volts at 2 kVA, and AC voltage in three nominal ranges from 0 to 140, 280, and 560 volts at 2.8 kVA. It is housed in a rugged enclosure approximately 21.5" x 18.5" x 11.5", and weighs approximately 70 lb.

SPECIFICATIONS



Width: 21.5 inches (546 mm)
Length: 18.5 inches (470 mm)
Height: 11.5 inches (292 mm)
Weight: 70 pounds (32.2kg)
Length w/Lids 22.5 inches (572 mm)

Input: 105-130 VAC, 50/60 Hz, 2.4 kVA nominal (20 amperes)
Outputs: 0-140 VAC at 20.0 A continuous (2.8 kVA)

0-280 VAC at 10.0 A continuous
 0-560 VAC at 5.0 A continuous
 0-480 VDC at 4.0 A continuous (1.92 kVA)
 0-240 VDC at 8.0A continuous
 0-120 VDC at 16.0A continuous (unfiltered)

Regulation: 11% on AC outputs at 2.8 kVA
 11% on DC outputs at 2.0 kVA

Ripple (DC): N/A (unfiltered)

Overloads: 200% 30 seconds ON, 90 seconds OFF (25% Duty Cycle)
 300% 10 seconds ON, 90 seconds OFF (10% Duty Cycle)

Voltmeter Accuracy:

AC: +/- 0.5% of reading +/- 0.5% FS
 DC: +/- 2% of reading +/- 1% FS (at rated output current and resistive load)

Included Accessories

- Input power cord 1
- Contacts leads 1 pair
- Technical manual 1 copy



Portable AC DC Power Supply

AD-2

INSTRUCTION MANUAL

March 17, 2011

Electrical Test Instruments, LLC

8430 Spires Way, Suite A-F
Fredrick, MD 21701

www.ETIPrecision.com

(410) 857-1880
Fax (410) 857-1387

Electrical Test Instruments, LLC
Product Description and Specifications
ACDC Power Supply Model AD-2

Overview:

This is a portable AC and DC power supply intended for circuit breaker charging motors and other general-purpose applications. It will provide DC voltage in three nominal ranges from 0 to 120, 240, and 480 volts at 2 kVA, and AC voltage in three nominal ranges from 0 to 140, 280, and 560 volts at 2.8 kVA. It is housed in a rugged enclosure approximately 22.0" x 22.5" x 11.3", and weighs approximately 128 lbs.

Basic Description and Operation:

This instrument is housed in a rugged waterproof case with protective lids. The input connection is by way of a recessed three prong male inlet compatible with standard extension cords. The input is protected and controlled by a 20-amp single pole circuit breaker. When it is turned ON, a variable autotransformer (Vernier) is energized, and a green POWER ON light is illuminated, as well as a 0-600-volt digital meter. The output arm(s) are protected by a two-pole breaker. The variable output of the Vernier is connected to the primaries of four 700 VA toroidal transformers. The secondaries are connected in series and parallel configuration by means of a multi-deck six position selector switch. The AC output is monitored by the 0-600 VAC digital meter. An additional resistor is added in DC mode to read the DC output voltage for open circuit or resistive loads.

The output is controlled by means of a three-position illuminated rotary switch. It has a maintained and momentary position, and a center OFF. When turned ON, a relay is energized, and the internal lamp is illuminated. The contacts of the relay provide AC voltage directly to one pair of yellow binding posts, and through a full wave bridge rectifier to a pair of red and black binding posts. LED indicators next to the binding posts and near the meter indicate AC or DC mode.

A 20 kOhm load resistance is connected to the DC output along with a 12-volt Zener diode and an indicator LED. This provides a 3-12-watt load for the DC output and indicates if there is an output voltage above about 20 volts as a safety precaution.

This power supply has no filter capacitors and is intended to be operated with no load capacitance. If a capacitive load is applied, the output voltage may increase to as much as 140% of the unfiltered output value, and the voltmeter will not read correctly. The voltmeter will read the unloaded AC voltage that will be applied to the output. The actual AC voltage will drop by as much as 11% under rated load, and the voltmeter will read the actual voltage. The calibration resistor for DC will be set so that the voltmeter reads the expected DC output at no load, but this will drop by 11% or more depending on actual load. Snubbers are connected across the output terminals to reduce noise and high voltage spikes when connected to inductive loads.

The TIMER jacks may be used to start an external timer when the output voltage is applied to the load. These contacts consist of a solid-state relay rated at 0.1 amps and 200 V.

Specifications:

Width: 21.5 inches (546 mm)
Length: 18.5 inches (470 mm)
Height: 11.5 inches (292 mm)
Length with lids: 22.5 inches (572 mm)
Weight: 115 pounds (32.2 kg.)

Input: 105-130 VAC, 50/60 Hz, 1.2 kVA nominal (20 amperes)

Outputs: 0-140 VAC at 20 A continuous (2.8 kVA)
0-280 VAC at 10 A continuous
0-560 VAC at 5 A continuous
0-480 VDC at 4 A continuous (1.92 kVA)
0-240 VDC at 8 A continuous
0-120 VDC at 16 A continuous

Regulation: None

Ripple (DC): N/A (unfiltered)

Overloads: 200% 30 seconds ON, 90 seconds OFF (25% Duty Cycle)
300% 10 seconds ON, 90 seconds OFF (10% Duty Cycle)

Voltmeter Accuracy:

AC: +/- 0.5% of reading +/- 0.5% FS

DC: +/- 2% of reading +/- 1% FS (at rated output current and resistive load)

WARRANTY

Electrical Test Instruments, LLC, will correct any defect in workmanship or material for two years after date of purchase of any Electrical Test Instruments product. Such corrective measures will be limited to repairing or replacing the unit, at Electrical Test Instruments' option. This limited warranty shall not apply to equipment which has been subjected to negligence, accident or damage by operation, maintenance or storage, or to non-normal use or service. This limited warranty does not cover reimbursements for transportation, removal, installation, repair or replacement, except as may otherwise be specifically agreed to in writing by Electrical Test Instruments. The foregoing is in lieu of all other warranties expressed or implied, and all other obligations or liabilities whether arising under contract, negligence or otherwise, on the part of Electrical Test Instruments. In no event shall Electrical Test Instruments be liable for consequential or special damages, including but not limited to loss of use, loss of income, loss of profit or cost of replacement.

REV	CAR/DO	DESCRIPTION	REVISION RECORD	APPD	DATE

1

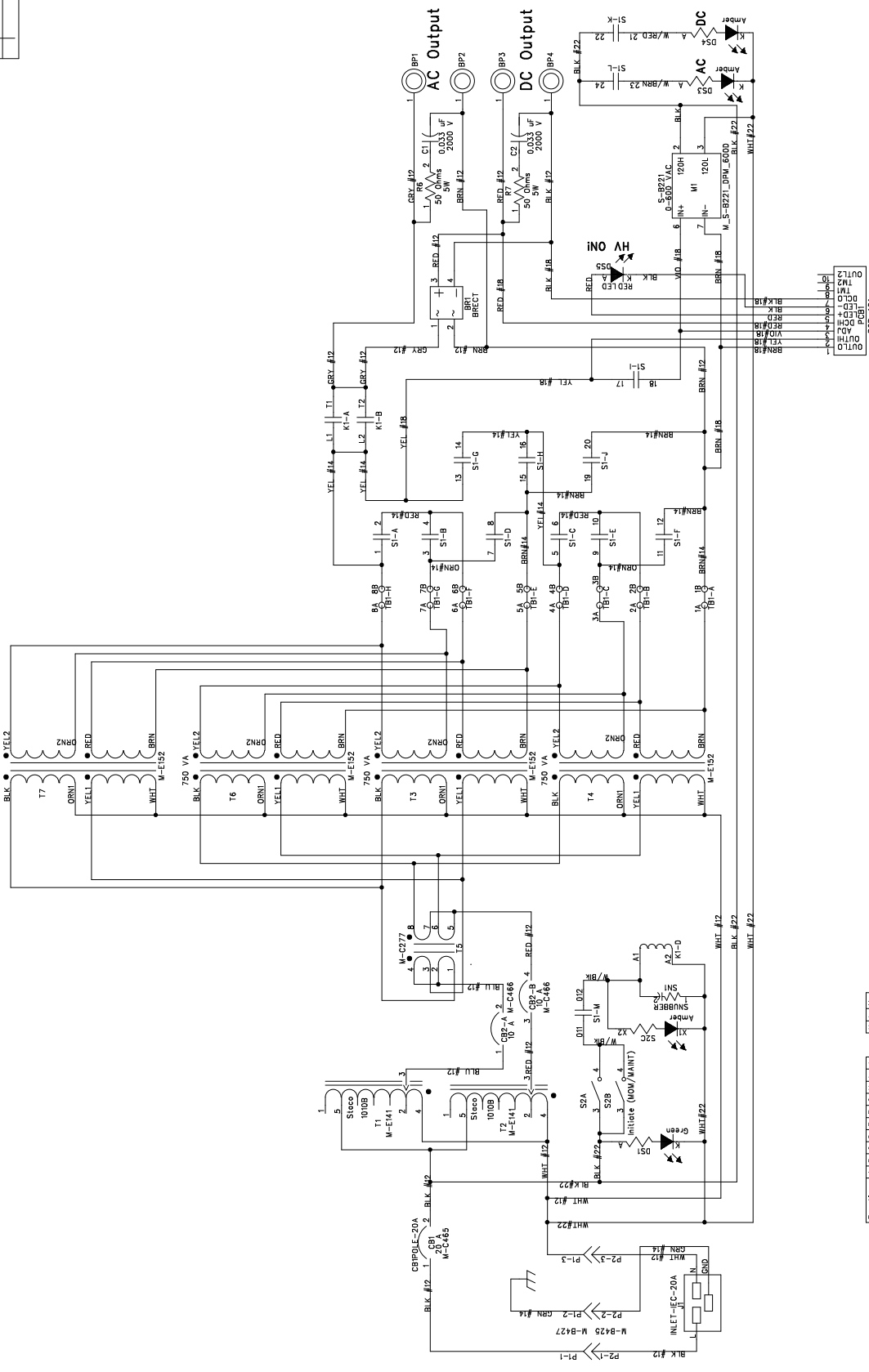
2

3

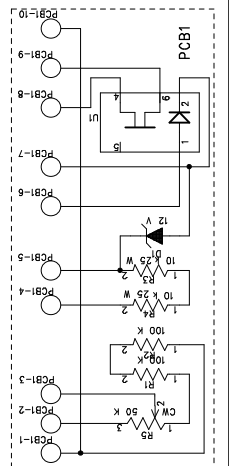
4

5

6

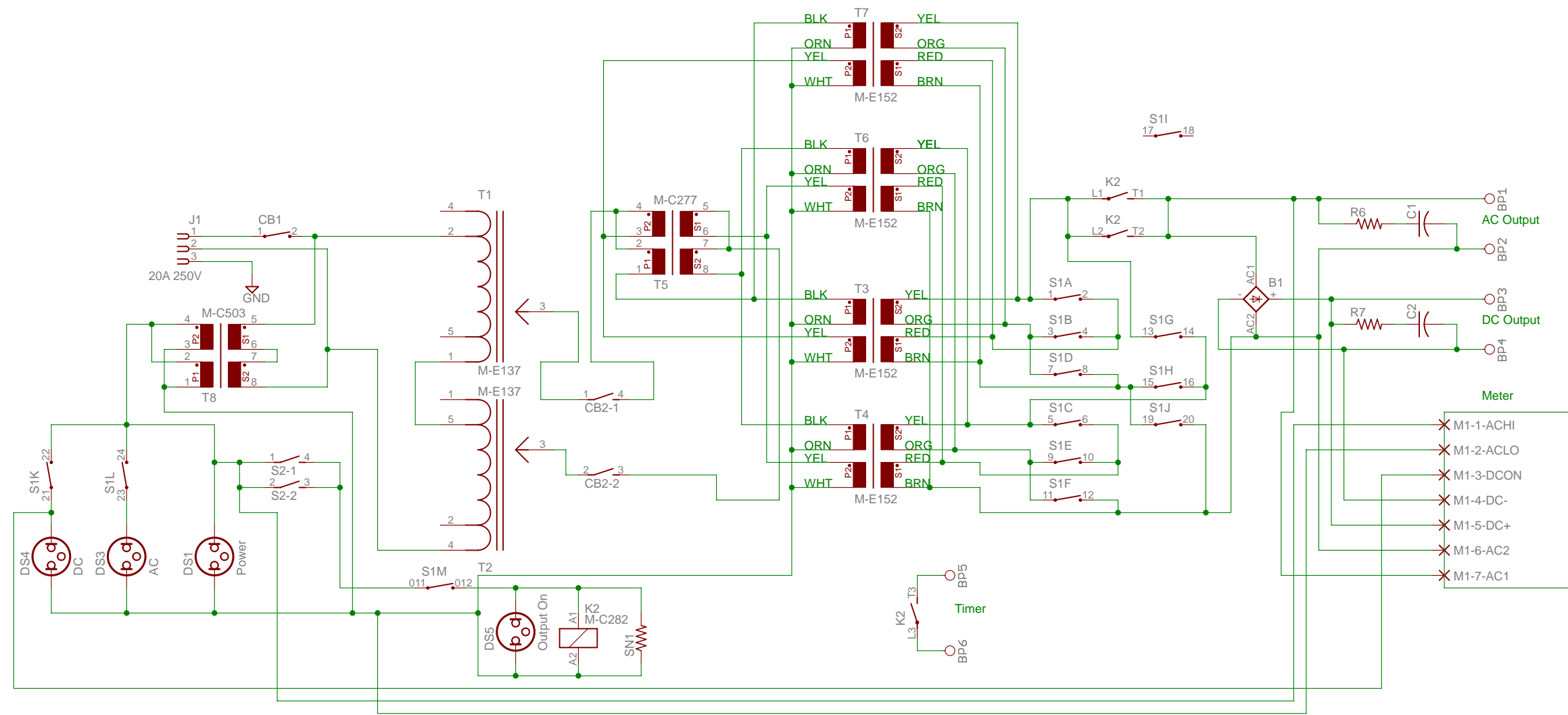


Function	A	B	C	D	E	F	G	H	I	J
0-480 VDC @ 2 A	X	X	X	X	X	X	X	X	X	X
0-240 VDC @ 4 A	X	X	X	X	X	X	X	X	X	X
0-120 VDC @ 8 A	X	X	X	X	X	X	X	X	X	X
0-60 VDC @ 16 A	X	X	X	X	X	X	X	X	X	X
0-30 VDC @ 32 A	X	X	X	X	X	X	X	X	X	X
0-150 VAC @ 5 A	X	X	X	X	X	X	X	X	X	X
0-75 VAC @ 10 A	X	X	X	X	X	X	X	X	X	X
0-37.5 VAC @ 20 A	X	X	X	X	X	X	X	X	X	X



COMPANY: **Electrical Test Instruments, Inc.**
 TITLE: **AC/DC Power Supply AD-2**
 DRAWING NO: **S-B331**
 REV:
 CODE:
 SIZE:
 SCALE:
 SHEET:
 OF

DRAWN:	DATED:
CHECKED:	DATED:
QUALITY CONTROL:	DATED:
RELEASED:	DATED:



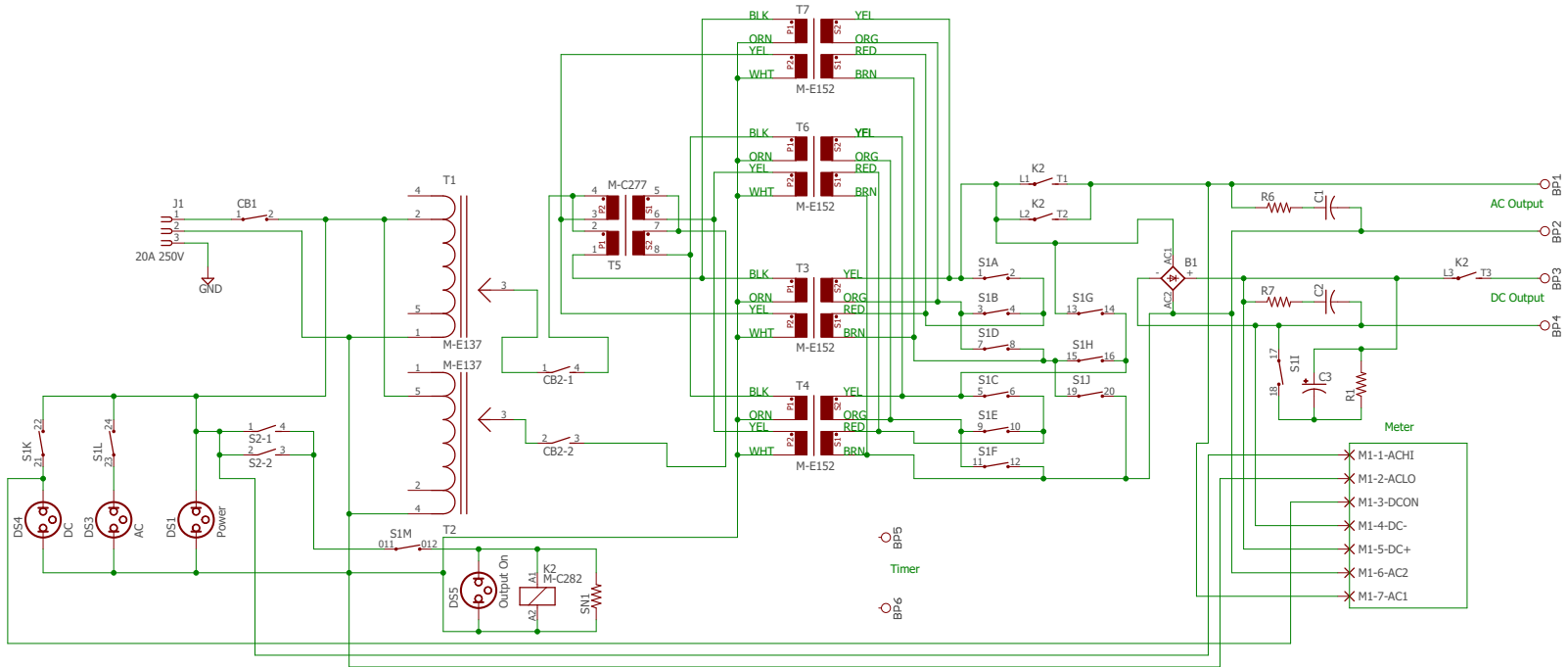
Function	A	B	C	D	E	F	G	H	I	J	K	L	M
480 VDC		X			X			X			X		X
240 VDC	X		X	X		X		X			X		X
120 VDC	X		X	X		X	X				X		X
140 VAC	X		X	X		X	X					X	X
280 VAC	X		X	X		X		X				X	X
560 VAC		X			X			X				X	X

Electrical Test Instruments

TITLE: AD-2-240

Document Number: **F-B136** REV: 1

Date: 8/11/2016 7:38:56 AM Sheet: 1/1



Function	A	B	C	D	E	F	G	H	I	J	K	L	M
480 VDC		X			X			X			X		X
240 VDC	X		X	X		X		X			X		X
120 VDC	X		X	X	X	X	X		X		X		X
140 VAC	X		X	X	X	X						X	X
280 VAC	X		X	X	X	X		X				X	X
560 VAC		X			X			X				X	X

Electrical Test Instruments

TITLE: AD-2

Document Number: **S-B331** REV: 1

Date: 5/21/2018 1:24 PM Sheet: 1/1