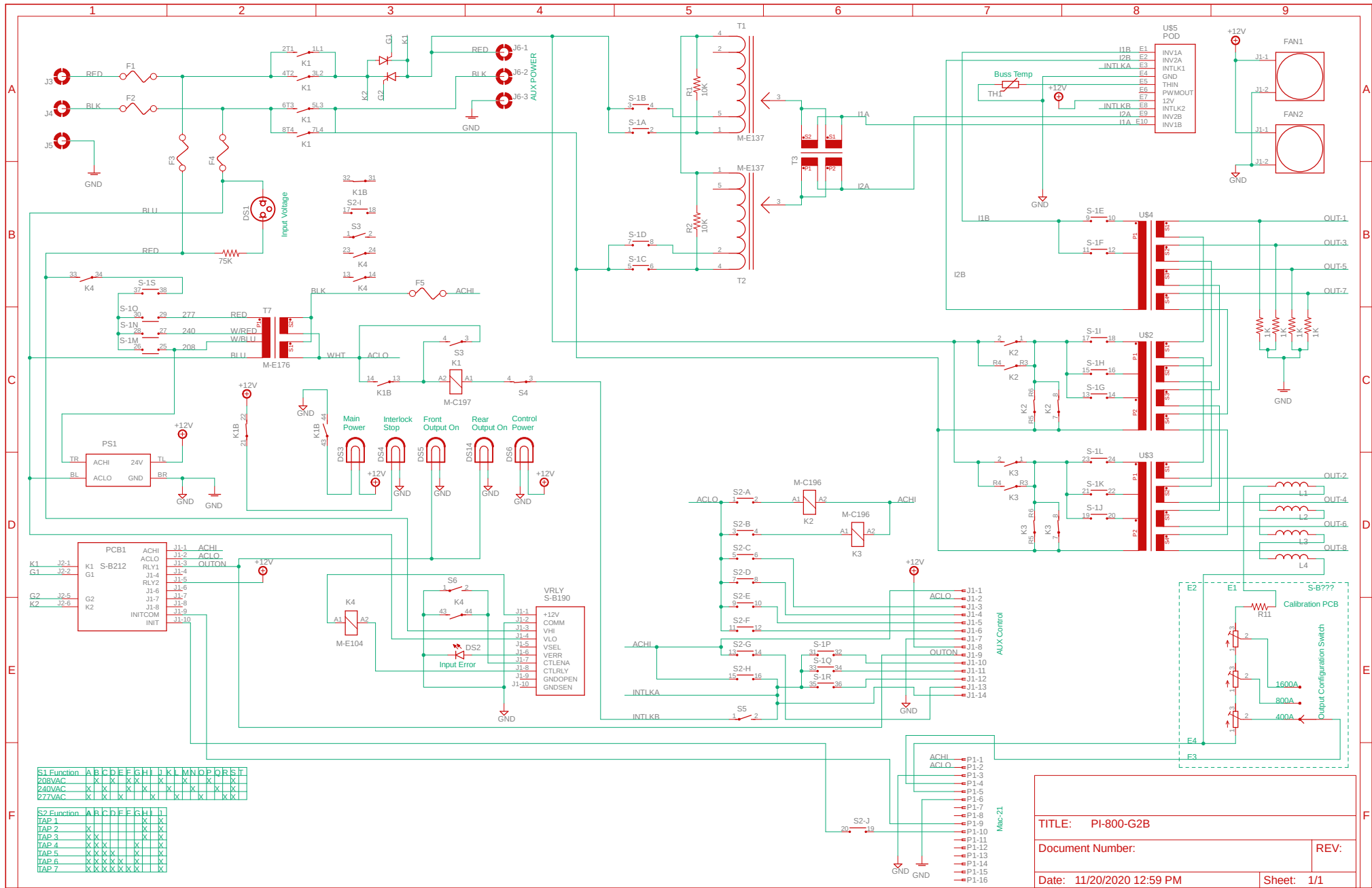
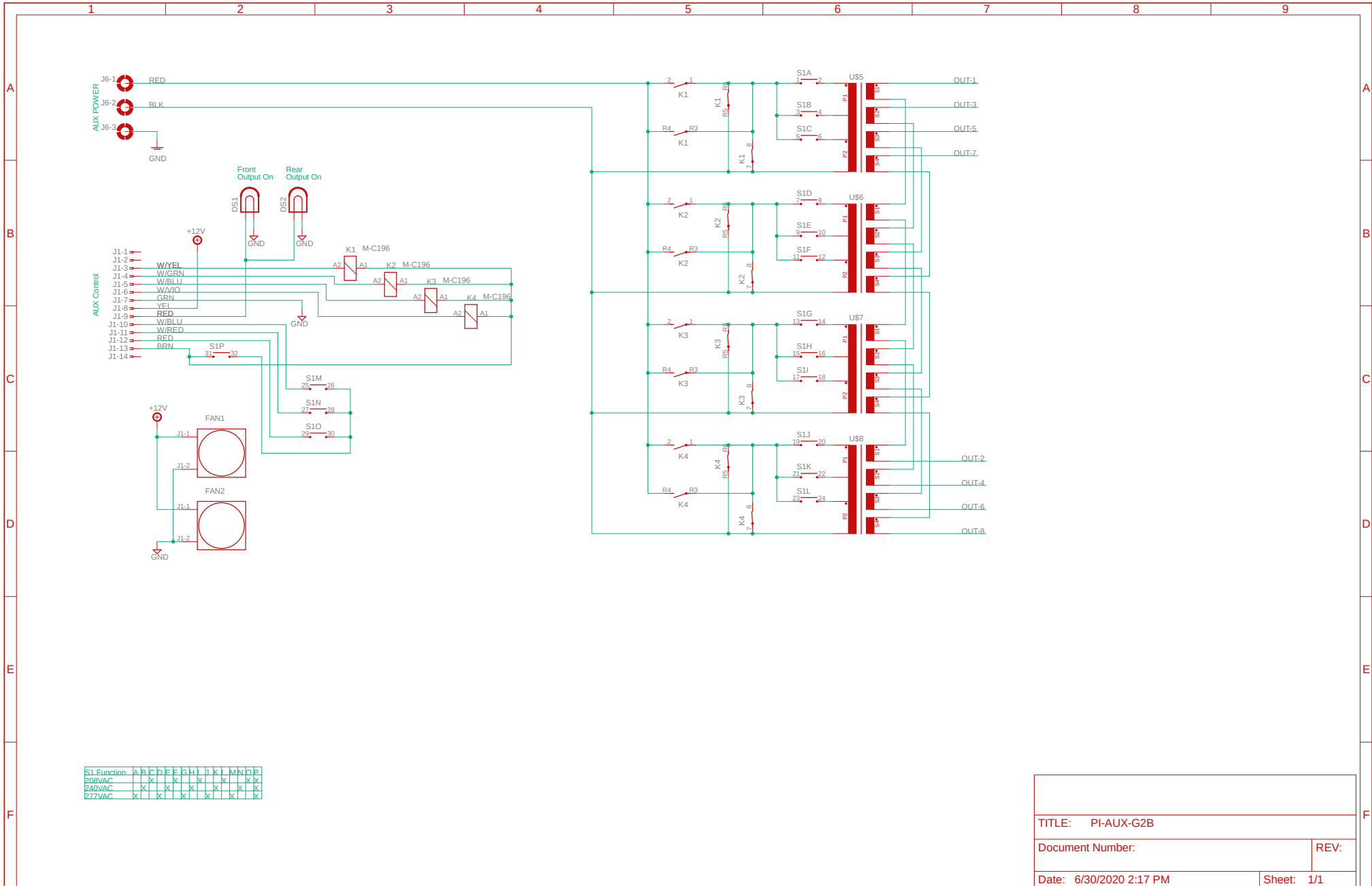


S1 Function	A	B	C	D	E	F	G	H	I	J	K	L	M	N	O	P
208VAC		X	X	X	X	X	X	X	X	X	X	X	X	X	X	X
240VAC		X	X	X	X	X	X	X	X	X	X	X	X	X	X	X
277VAC		X	X	X	X	X	X	X	X	X	X	X	X	X	X	X

TITLE: PI-AUX-G2A	
Document Number:	REV:
Date: 2/4/2021 8:41 AM	Sheet: 1/1





TITLE: PI-AUX-G2B	
Document Number:	REV:
Date: 6/30/2020 2:17 PM	Sheet: 1/1