

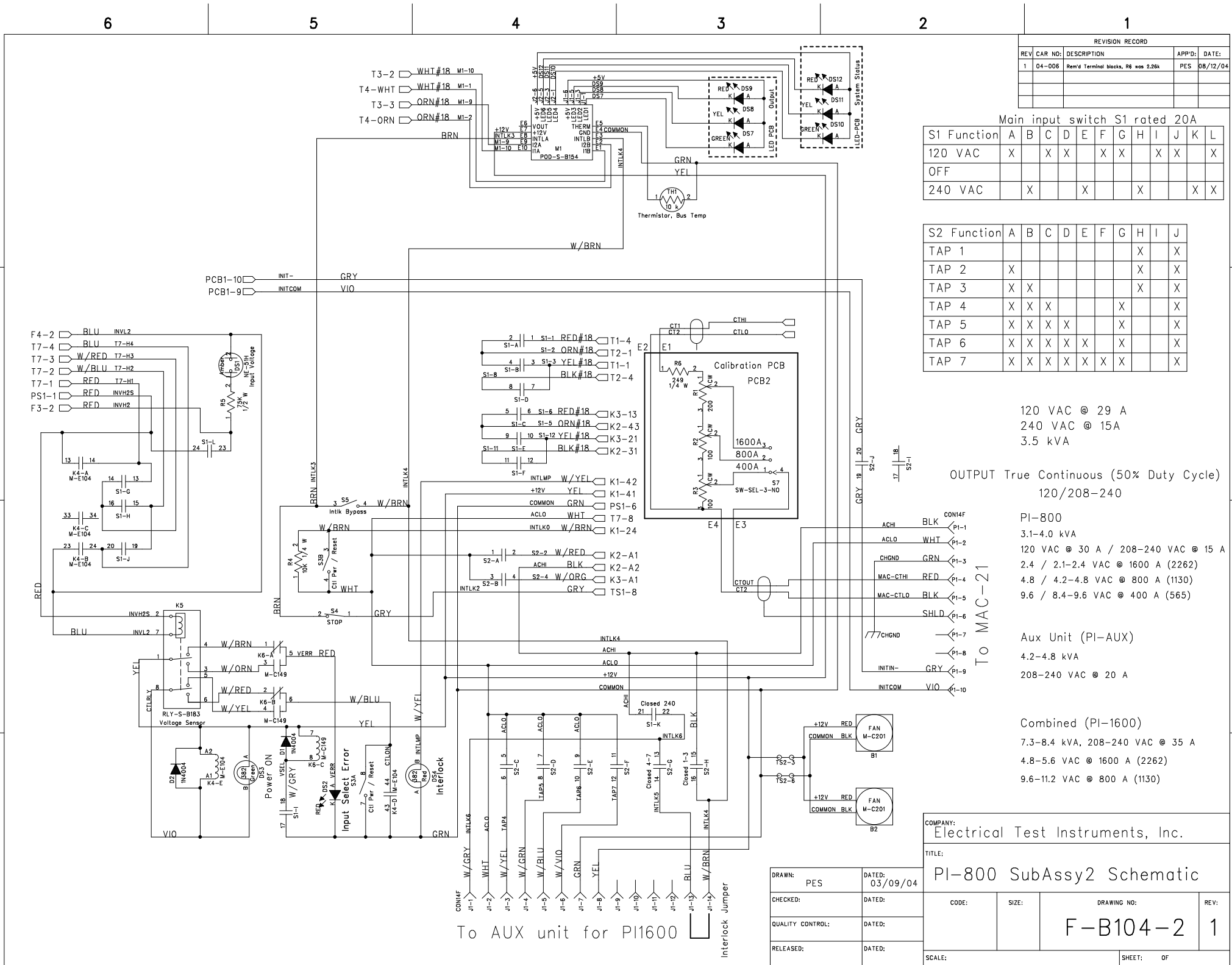
REVISION RECORD			
REV	DC No	DESCRIPTION	APP'D: DATE:
1		Added R1 and R2, revise D55 & DS14	PES 8/10/04

COMPANY: Electrical Test Instruments, Inc.

TITLE: PI-800 SubAssy1 Schematic

DRAWN: PES	DATED: 03/09/04
CHECKED:	DATED:
QUALITY CONTROL:	DATED:
RELEASED:	DATED:

CODE:	SIZE:	DRAWING NO:	REV:
		F-B104-1	1
SCALE:		SHEET: OF	



REVISION RECORD			
REV	CAR NO:	DESCRIPTION	APP'D: DATE:
1	04-006	Rev'd Terminal blocks, R6 was 2.26k	PES 08/12/04

Main input switch S1 rated 20A

S1 Function	A	B	C	D	E	F	G	H	I	J	K	L
120 VAC	X	X	X		X	X		X	X		X	X
OFF												
240 VAC	X				X			X			X	X

S2 Function	A	B	C	D	E	F	G	H	I	J
TAP 1								X		X
TAP 2	X							X		X
TAP 3	X	X						X		X
TAP 4	X	X	X				X			X
TAP 5	X	X	X	X			X			X
TAP 6	X	X	X	X	X		X			X
TAP 7	X	X	X	X	X	X	X			X

120 VAC @ 29 A
 240 VAC @ 15A
 3.5 kVA

OUTPUT True Continuous (50% Duty Cycle)
 120/208-240

PI-800
 3.1-4.0 kVA
 120 VAC @ 30 A / 208-240 VAC @ 15 A
 2.4 / 2.1-2.4 VAC @ 1600 A (2262)
 4.8 / 4.2-4.8 VAC @ 800 A (1130)
 9.6 / 8.4-9.6 VAC @ 400 A (565)

Aux Unit (PI-AUX)
 4.2-4.8 kVA
 208-240 VAC @ 20 A

Combined (PI-1600)
 7.3-8.4 kVA, 208-240 VAC @ 35 A
 4.8-5.6 VAC @ 1600 A (2262)
 9.6-11.2 VAC @ 800 A (1130)

COMPANY: Electrical Test Instruments, Inc.

TITLE: PI-800 SubAssy2 Schematic

DRAWN: PES	DATED: 03/09/04
CHECKED:	DATED:
QUALITY CONTROL:	DATED:
RELEASED:	DATED:

CODE:	SIZE:	DRAWING NO:	REV:
		F-B104-2	1
SCALE:	SHEET: OF		

To AUX unit for PI1600

Interlock Jumper

To MAC-21