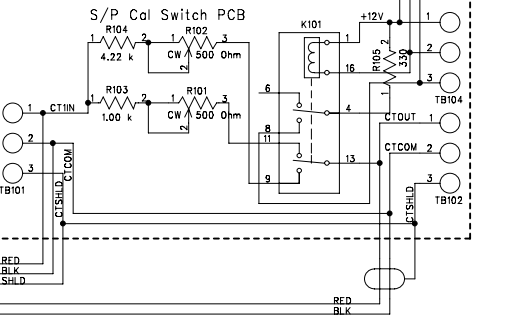
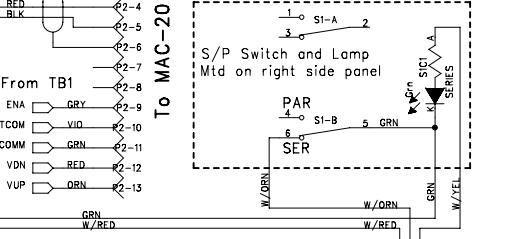


REVISION RECORD				
NO	CAR/DC	DESCRIPTION	APP'D	DATE:
1	04-001	F19 was FNM-10	PES	06/16/04
2	DC04-005	Replace K8, K11 and K12 w/ PCB	PES	07/20/04
3		Terminal numbers K13-14	PES	04/06/06
3	CAR08-034	Created F-B103 from S-B174	PES	08/14/06
4		Add Illuminated S/P Switch	PES	11/22/06
5		Change for new PCB M-C315-R2	PES	02/26/07
6		Remove fuses	PES	12/07/09

Tap Relays	K1	K2	K3	K4	K5	K6
TAP 1 (0-1.33V)		X	X			
TAP 2 (1.25-2.58V)	X			X		
TAP 3 (2.5-3.83V)	X	X				
TAP 4 (3.75-5.08V)	X		X	X		
TAP 5 (5.00-6.33V)	X	X			X	
TAP 6 (6.25-7.58V)	X		X	X	X	
TAP 7 (7.50-8.83V)	X	X			X	X
TAP 8 (8.75-10.08V)	X		X	X	X	X
TAP 9 (10.00-11.33V)	X	X			X	X

Transformer Current in 480V mode
 T2-A: 13.8 A/primary @ 5000 A out
 T2-BCDE: 26 A/primary @ 5000 A out



COMPANY: Electrical Test Instruments, Inc.

TITLE: PI4000B Schematic

DRAWN: PES
 CHECKED: HAV
 QUALITY CONTROL:
 RELEASED:

DATED: 03/15/04
 DATED: 5-19-04
 DATED:
 DATED:
 CODE:
 SIZE:
 DRAWING NO:
 REV:
 SCALE:
 SHEET: OF

To Indicator/Control Panel and MAC-20